
MGC-3 AC Magnetic Field Sensor

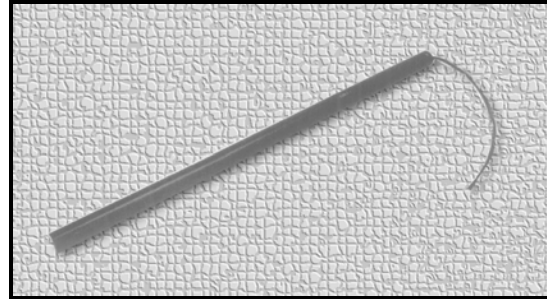
High Sensitivity Sub Audio AC Magnetic Field Sensor

The **MGC-3** is a low noise high sensitivity single axis AC magnetic field sensor used for the measurement of sub audio frequency fields. Because of its innovative design, the **MGC-3** amplitude response is insensitive to the frequency of the field over its 0.2 Hz to 1 kHz frequency band. Accuracy at 30 Hz is $\pm 0.5\%$ and the amplitude response stays within ± 0.25 dB over the bandwidth.

The **MGC-3**'s superior performance is achieved by an optimum matching of the sensor preamplifier noise characteristics with the sensor coil properties. Its amplitude insensitivity to the magnetic field frequency over its bandwidth is accomplished by an innovative low noise current amplifier design.

The basic sensing element is a rod shaped induction coil with a ferromagnetic core. The core characteristics and winding parameters were carefully selected through computer optimization to match the noise characteristics of a custom designed low noise current preamplifier. This circuit topology produces an overall sensor transfer function that resembles a high pass filter with a corner frequency equal to $L/2\pi R$ where L is the coil inductance and R is the coil resistance. Beyond this frequency, the sensor amplitude is directly proportional to the magnetic field magnitude and insensitive to the field's frequency up to the coil's natural frequency.

The preamplifier is integrated with the sensing element in a cylindrical package that shields the coil from electrostatic fields while allowing the magnetic field to be accurately measured.



The **MGC-3** output is a high level signal that can be safely transmitted through a cable connecting it to signal conditioning equipment without the introduction of additional noise. The SAM-3 portable signal conditioner was specifically designed by MEDA to provide power to and signal condition the MEDA series of AC magnetic field sensors.

Features

- ❑ Wide Bandwidth: 0.2 Hz to 1 kHz.
- ❑ Low Noise: $0.5\text{pT}/\sqrt{\text{Hz}}$ @ 1 Hz
- ❑ High Accuracy: $\pm 0.5\%$ @ 30 Hz, $\pm 0.25\text{dB}$ over bandwidth.
- ❑ Response Insensitive to Signal Frequency over its Bandwidth.
- ❑ Low Power: 300 milliwatts nominal.

SPECIFICATIONS

Output

<i>Field Range</i>	800 nT peak-to-peak
<i>Voltage Range</i>	20 Volts peak-to-peak

Transfer Function

<i>Scale Factor</i>	25 mV/nT
<i>Accuracy</i>	±0.5% @ 30 Hz, ±0.25dB over bandwidth
<i>Frequency Response (3dB point)</i>	<0.2 Hz to >1 kHz

Noise (pT/√Hz)

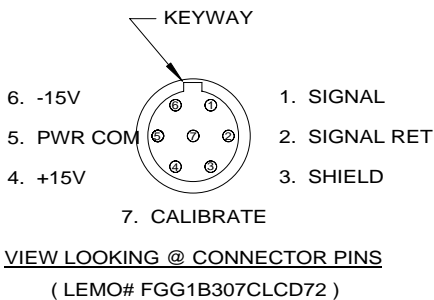
0.2 Hz	2.5
1 Hz	0.5
10 Hz	0.1
30 Hz	0.03
100 Hz	0.02
1 kHz	0.01

Power Requirements

<i>Input Voltage</i>	±(13.5 to 16.5 VDC)
<i>+V Current Consumption</i>	10 mA nominal
<i>-V Current Consumption</i>	10 mA nominal

Physical

<i>Size</i>	40" L x 1.75" D (101.6 cm L x 4.45 cm D)
<i>Weight</i>	12 lbs. (5.5 Kg)
<i>Cable Length</i>	20 feet (6.1 m)
<i>Connector</i>	LEMO FGG.1B.307.CLCD72



For more information

Voice: (703) 996-8990 **FAX:** (703) 996-8770 **e-mail:** sales@meda.com